



LES PRESOIRS
COQUARD
PRESSES

The **Bucket**™ press

8 hl
Gooseneck shape :
300° access



PATENT REGISTERED

Vertical Bucket press for wine press

Advantages

- Gentle and minimal movement of the pomace leads to wine separation without skin abrasion
- The amount of generated solids is minimal
- The wine is collected into a settling tank below the bucket after draining through a unique complete bottom drainage system
- Cleaning the Bucket press is simple and quick
- Minimum roughness of the pomace
- The Bucket-press is suited for wines of the utmost quality and provides maximal efficiency
- Capacity : the bucket holds the pomace of 2 tons of red grapes allowing an annual production of 300 to 500 tons

COQUARD PRESSES

MANUFACTURERS OF FINE PRESSES IN CHAMPAGNE SINCE 1924

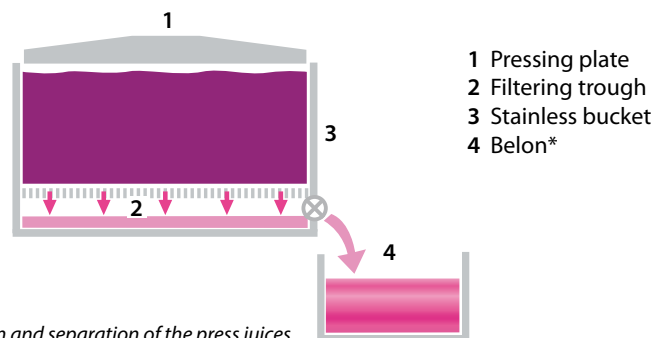
21 rue des Létis - 51430 Bezannes / commercial@coquardpresses.com / Tél. +33 (0)3 26 36 58 57 / Fax +33 (0)3 26 49 95 45



The Bucket™ press

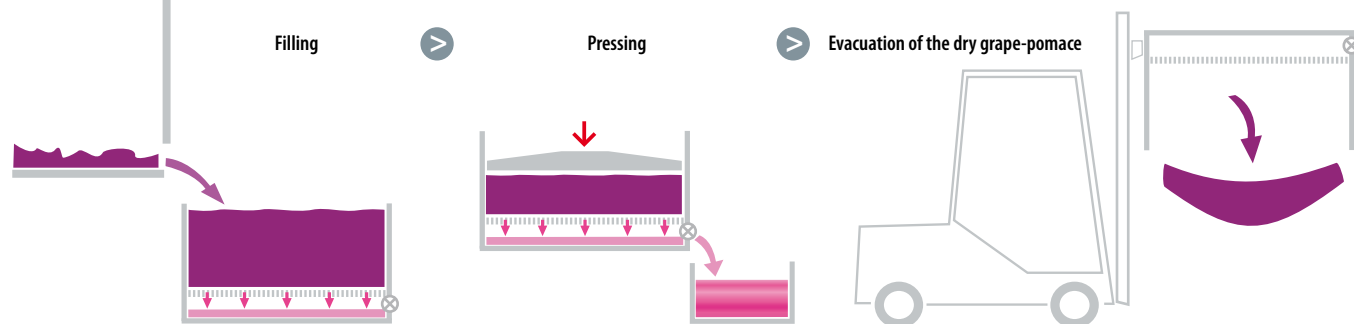
> Description and operation

The bucket concept :
/ Reliable / healthy / without
dead time / less residues

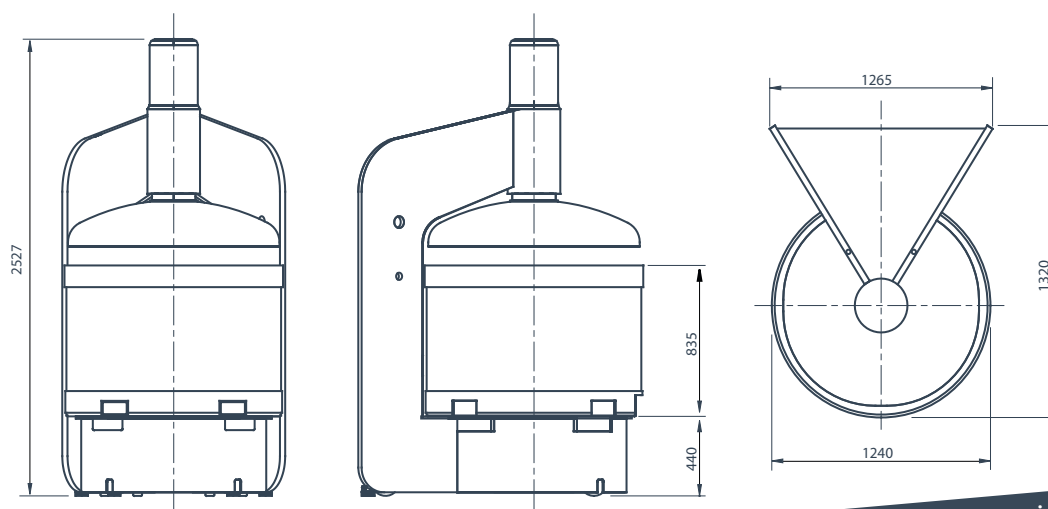


- 1 Pressing plate
- 2 Filtering trough
- 3 Stainless bucket
- 4 Belon*

* Open tank for collection and separation of the press juices.



DATASHEET



Bucket

Tare weight	2200 kg
Loaded weight	2700 kg
Volume	8 hl
Power	1 kw
Voltage	400 V
Height	2527 mm
Width	1265 mm
Depth	1320 mm



Stainless steel bucket

Diameter	1240 mm
Height	835 mm

Compact and economical,
the Bucket press saves
considerable time due to
the bucket rotation system.

Available in 12 hl
and 20 hl capacity

The Bucket™ press can be customized with the colors of your choice (RAL ref.)



FOR ANY ENQUIRY, CONTACT US

21 rue des Létis - 51430 Bezannes - France
info@coquardpresses.com
Tél. +33 (0)3 26 36 58 57 / Fax +33 (0)3 26 49 95 45
www.coquardpresses.com



COQUARD PRESSES

MANUFACTURERS OF FINE PRESSES IN CHAMPAGNE SINCE 1924

Automatic and traditional hydraulic presses / Turn key installations / Automatic and volumetric regulation /
Distribution and cooling system of the juices / Stainless steel and polyethylene settling tanks / Automatic grape feeder /
Trailer and stainless steel screws for grape marc / Cat walk or platform / Lifting table / Maintenance