



LES PRESOIRS
COQUARD
PRESSES

The Quality
Benchmark



PATENT REGISTERED

Automatic tilted plate press

Advantages

- Large pressing surface
- Low pressure on the grape
- Ideal ratio between pressing surface and grape volume
- No crushing nor mashing during pomace crumbling
- Great filtration of the pomace
- Low oxidation of the musts
- Automatic Bisulfiting
- Great flexibility in usage thanks to hydraulics
- Easy maintenance and cleaning
- Low power consumption
- Quick evacuation of the dry pomace
- The most quietest of the existing presses



Option

New integrated cooling system of the juice during pressing.



COQUARD PRESSES

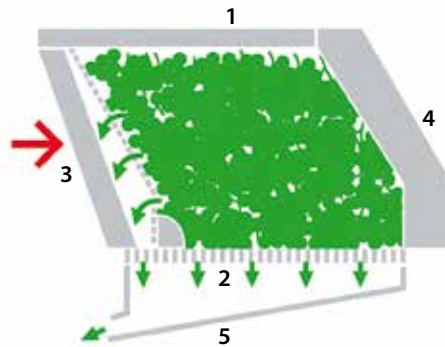
MANUFACTURERS OF FINE PRESSES IN CHAMPAGNE SINCE 1924

21 rue des Létis - 51430 Bezannes / commercial@coquardpresses.com / Tél. +33 (0)3 26 36 58 57 / Fax +33 (0)3 26 49 95 45

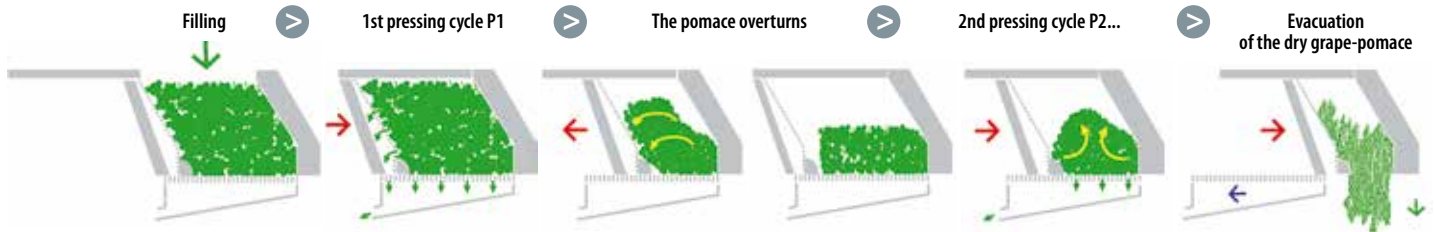


> Description and operation

Automatic press with large square plate.
Between each cycle, the mobile pressing plate moving back, the pomace overturns du to gravity.
The materials in contact with the grape :
the filtering trough and the pressing plate are made of stainless steel. The cages, the counter plates, the covers and the tank are made of polyethylene.

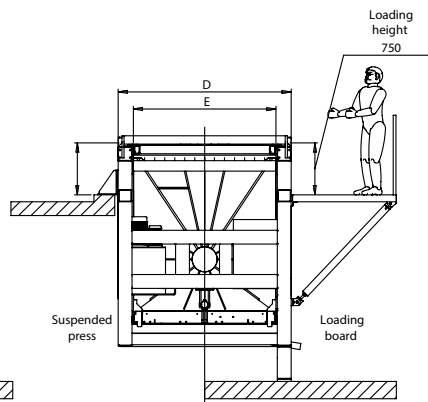
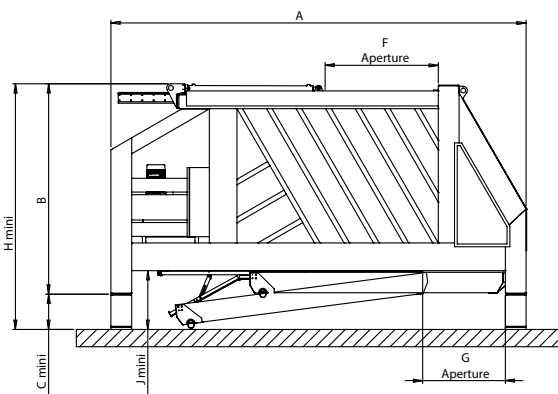


- 1 Slide cover
- 2 Filtering trough
- 3 Moving pressing plate
- 4 Fixe tilted plate
- 5 Settling tank



Available in a 2000 / 4000 / 6000 / 8000 / 12000 Kg capacity

DATASHEET



PAI	2000 kg	4000 kg	6000 kg	8000 kg	12000 kg
Tare Weight	5000 kg	8000 kg	10000 kg	13500 kg	18500 kg
Loaded Weight	7000 kg	12000 kg	16000 kg	21500 kg	30500 kg
Volume	3470 dm ³	6640 dm ³	9700 dm ³	12800 dm ³	18200 dm ³
Feet	200x120 mm	250x150 mm	250x150 mm	300x200 mm	300x200 mm
Power	5.75 kw	7.5 kw	7.5 kw	10 kw	12 kw
Voltage	400 V	400 V	400 V	400 V	400 V
A	4130 mm	4900 mm	5300 mm	6000 mm	6650 mm
B	2140 mm	2580 mm	2800 mm	3040 mm	3390 mm
C mini	350 mm	380 mm	450 mm	470 mm	620 mm
D	1730 mm	2140 mm	2290 mm	2500 mm	2800 mm
E	1490 mm	1800 mm	1950 mm	2060 mm	2360 mm
F	1330 mm	1420 mm	1470 mm	1700 mm	1800 mm
G	850 mm	970 mm	1025 mm	1200 mm	1200 mm
H mini	2490 mm	2960 mm	3250 mm	3510 mm	4010 mm
J mini	600 mm	680 mm	780 mm	810 mm	1035 mm

The press PAI is customizable with colors of your selection (RAL ref.)



FOR ANY ENQUIRY, CONTACT US

21 rue des Létis - 51430 Bezannes

info@coquardpresses.com

Tél. +33 (0)3 26 36 58 57 / Fax +33 (0)3 26 49 95 45

www.coquardpresses.com



COQUARD PRESSES

MANUFACTURERS OF FINE PRESSES IN CHAMPAGNE SINCE 1924

Automatic and traditional hydraulic presses / Turn key installations / Automatic and volumetric regulation /
Distribution and cooling system of the juices / Stainless steel and polyethylene settling tanks / Automatic grape feeder /
Trailer and stainless steel screws for grape marc / Cat walk or platform / Lifting table / Maintenance